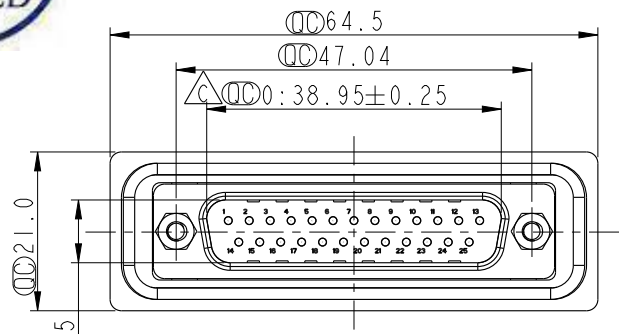
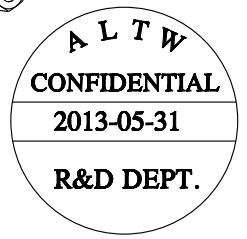
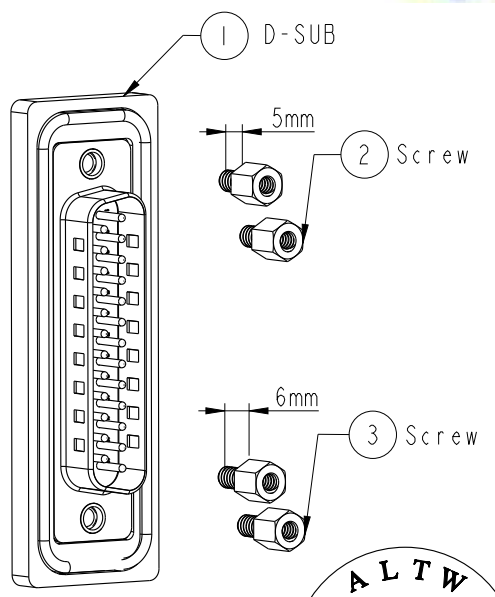


REV.	ECN NO.	DATE	SIGN	DESCRIPTION
B	LEN-980002	2009/07/29	Vicky	Remove Pin Dim.
C	LEN1350284	2013/05/31	Yulong	Update the Dimension

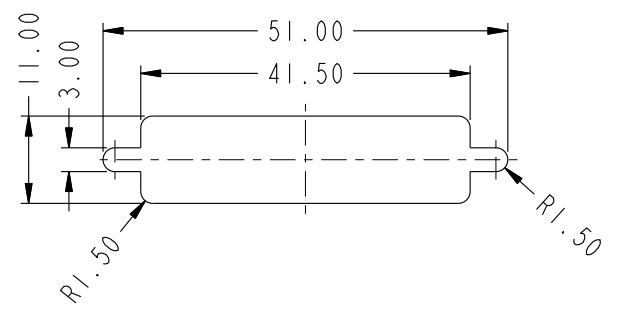


Screw L=5.0 For Panel Thickness
Under 1.2mm
適用板厚為 1.2mm 以下

Screw L=6.0 For Panel Thickness
Between 1.2~2.0mm
適用板厚為 1.2~2.0mm



- Note:
- * \varnothing Important Dimension.
 - * Waterproof Rate: IP68
IP68: 1M of depth of water 24 hours
(防水等級: IP68)
(IP68: 1米水深24小時)
 - * Do Mating Test After Glued
點膠後, 須作對插測試
 - * Housing: Nylon+GF, Black.
 - * Connector: PBT, Black.
 - * Male Pin: Copper Alloy, Gold Plated.
 - * Ring: Silicone, Light Blue.
 - * Screw: Copper Alloy, Nickel Plated, #4-40 UNC.
 - * Applicable Wire Range: 22AWG-26AWG.
適用電線範圍: 22AWG-26AWG



Recommended Panel Cut-Out
建議挖孔尺寸

UNIT: mm	 	TITLE		<h1>Amphenol LTW</h1> <p>安費諾亮泰企業股份有限公司</p>	ITEM NO.	DRAWN BY	DATE
		D-SUB Conn. Panel Screw DB25P M Conn. M Pin			SDB-25PMMS-SL8001	Yulong_wang	2013-05-31
TOLERANCE		SCALE	SIZE	SHEET	DWG NO.	CHECKED BY	DATE
.X ±0.25		1:1	A4	1 OF 1	SDB-25PMMS-SL8001	Victor	2013-05-31
.XX ±0.1		REV.	WC-REV.	\varnothing : Inspection item	CUSTOMER	APPROVED BY	DATE
.XXX ±0.05		C	A.5		ALTW	Maslow	2013-05-31
ANGLES ±1°							

THIS DOCUMENT IS SUBJECT TO CHANGE WITHOUT NOTICE. IT IS CONFIDENTIAL AND A PROPERTY OF Amphenol LTW. DISCLOSURE TO THIRD PARTY HAS TO BE AUTHORIZED BY Amphenol LTW.